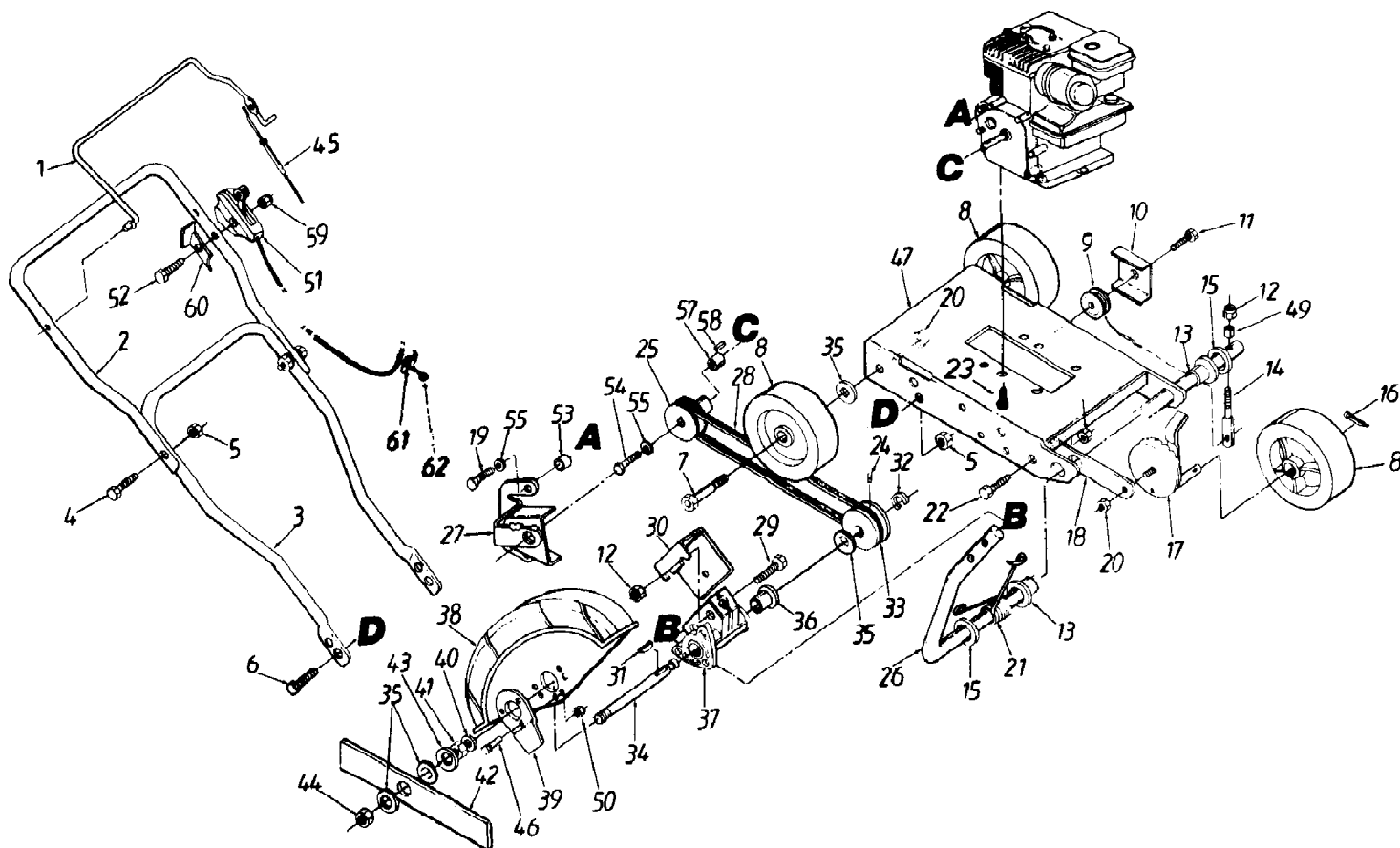


253-536-190 3 HP Edger (1993)
Edger



253-536-190 3 HP Edger (1993)
Edger

Page 2 of 3

| Ref # | Part Number | Qty | S/P/F | Description |
|-------|-------------|-----|-------|-------------------------------|
| 1 | 747-0748 | 1 | /P | Control Handle |
| 2 | 749-0832 | 1 | | Upper Handle |
| 3 | 749-0833 | 1 | | Lower Handle |
| 4 | 710-0442 | 1 | S/F | Hex Bolt 5/16-18 x 1.5" |
| 5 | 712-0429 | 1 | S | Hex L-Nut 5/16-18 Thd. |
| 6 | 710-1087 | 1 | S | Hex Bolt 5/16-18 x .625" |
| 7 | 738-0856 | 1 | | Wheel Bolt |
| 8 | 734-1690 | 1 | | Wheel - 6" |
| 9 | 756-0591 | 1 | | Idler Pulley |
| 10 | 787-0105 | 1 | | Bracket - Idler Pulley |
| 11 | 710-1213 | 1 | /P | Bolt (Special) |
| 12 | 712-0429 | 1 | S | Hex L-Nut 5/16-18 Thd. |
| 13 | 741-0577 | 1 | | Bushing |
| 14 | 747-0602 | 1 | | Arm-Pivot Rod |
| 15 | 738-0237 | 1 | | Flat Washer 5/8" I.D. |
| 16 | 714-0474 | 1 | S | Cotter Pin 1/8 x 3/4" |
| 17 | 682-0500 | 1 | | Adjuster Assembly (Depth) |
| 18 | 787-0102 | 1 | | Arm - Front Wheel |
| 19 | 710-0117 | 1 | S | Hex Bolt 5/16-24 x 1" (Gr. 5) |
| 20 | 712-0431 | 1 | S | Hex Keps L-Nut 3/8-16 Thd. |
| 21 | 732-0660 | 1 | | Spring - Cutterhead |
| 22 | 710-1088 | 1 | | Hex Bolt 5/16-18 x 1" Lg. |
| 23 | 710-1094 | 1 | S | Engine Bolt (Special) |
| 24 | 710-1103 | 1 | S | Locking Set Scr. 5/16-18 |
| 25 | 756-0629 | 1 | | Engine Pulley |
| 26 | 747-0804 | 1 | | Rod - Cutterhead |
| 27 | 687-0100 | 1 | | Belt Guard |
| 28 | 754-0935 | 1 | S | V-Belt |
| 29 | 710-0442 | 1 | S/F | Hex Bolt 5/16-18 x 1.5" |
| 30 | 787-0104 | 1 | | Belt Guard (Cutterhead) |
| 31 | 714-0230 | 1 | S | Woodruff Key |
| 32 | 716-0182 | 1 | S | Retaining Ring |
| 33 | 756-0590 | 1 | /P | Pulley - Cutterhead |
| 34 | 711-0855 | 1 | S | Shaft - Cutterhead |
| 35 | 736-0331 | 1 | /P | Bell-Wash. 3/8" I.D. |
| 36 | 741-0578 | 1 | | Bushing - Cutterhead |
| 37 | 719-0289 | 1 | /P | Housing - Cutterhead Shaft |
| 38 | 731-1193 | 1 | /P | Blade Guard |
| 39 | 787-0101 | 1 | | Edge Guide |
| 40 | 736-0117 | 1 | S | Flat Washer .035 Thk. |
| 41 | 712-0402 | 1 | S | Heavy Hex Jam Nut 3/8-24 |
| 42 | 742-0554 | 1 | | 9" Replacement Blade |
| 43 | 736-0479 | 1 | S | FI-Wash. 3/8" I.D. |
| 44 | 712-0241 | 1 | /P | Hex Nut 3/8-24 Thd. |
| 45 | 748-0591 | 1 | | Cable - Depth Control |
| 46 | 710-1105 | 1 | | Hex Self-Tap Scr. #10-24 |
| 47 | 787-0111 | 1 | | Base - Edger Frame |
| 49 | HH-11-03527 | 1 | | Spacer - Pivot Arm |
| 50 | 712-0161 | 1 | /P | Nylok Nut #10-24 |
| 51 | 746-0748 | 1 | S | Throttle Control |
| 52 | 710-0136 | 1 | /P/F | Hex Bolt 1/4-20 x 1.75" Lg. |
| 53 | 750-0214 | 1 | | Spacer |
| 54 | 710-0539 | 1 | | Spacer 1/4 x 1.75" |

253-536-190 3 HP Edger (1993)
Edger

Page 3 of 3

| Ref # | Part Number | Qty | S/P/F | Description |
|-------|-------------|-----|-------|-----------------------|
| 55 | 736-0119 | 1 | S/F | L-Wash 5/16" I.D. |
| 57 | 750-0456 | 1 | S | Spacer |
| 58 | 714-0133 | 1 | S | Sq. Key 3/16" x 1.5" |
| 59 | 712-0324 | 1 | /P | Hex L-Nut 1/4-20 Thd. |
| 60 | 787-0110 | 1 | | Stop Bracket |
| 61 | 726-0316 | 1 | | Cable Clamp |
| 62 | 710-3090 | 1 | | Hex Tap Scr. #8 x .5" |